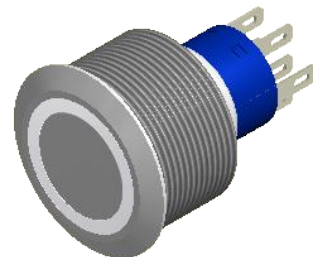
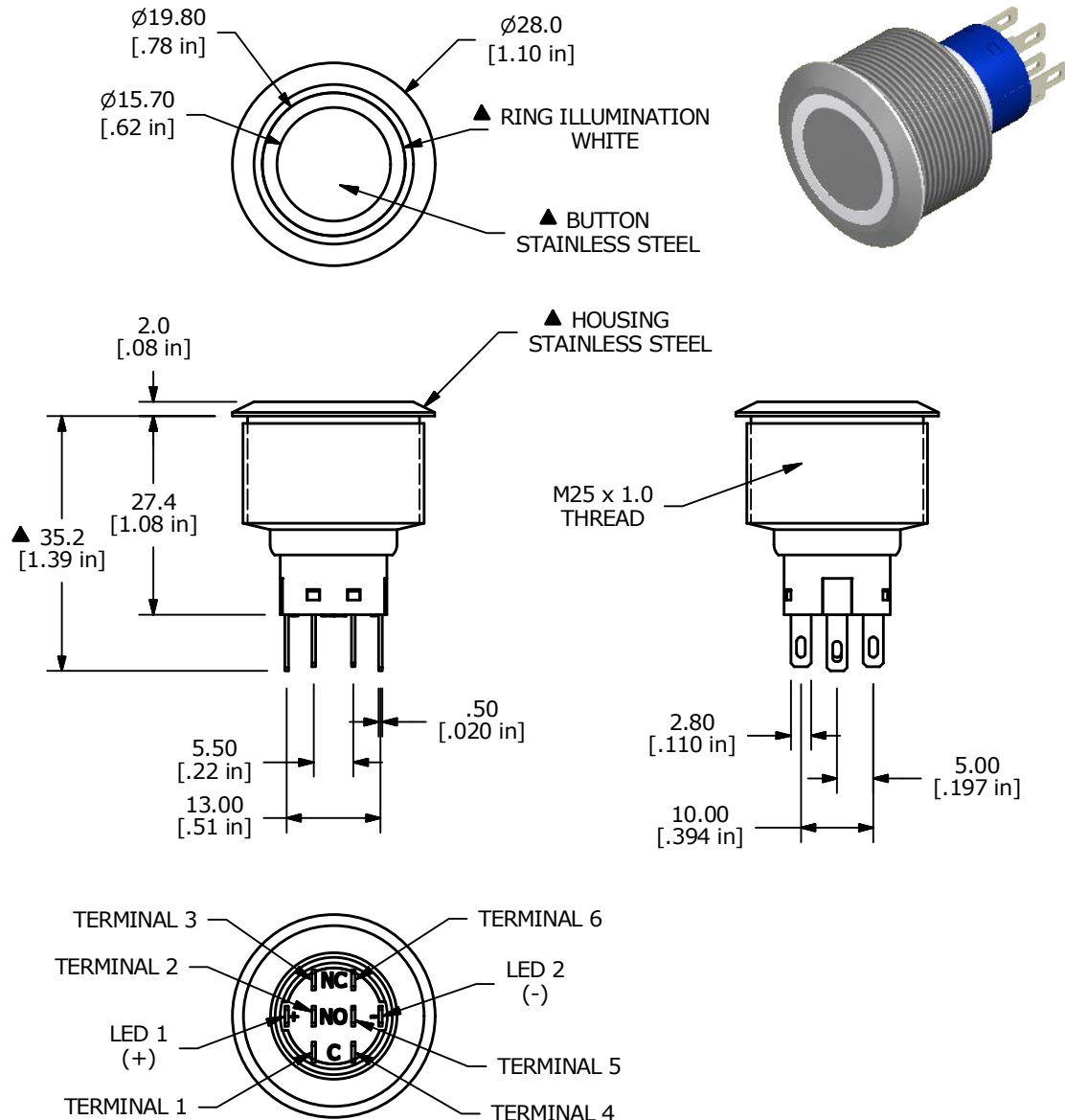


SCHEMATIC
 ▲ ON - (ON)
 DPDT Illuminated
 () Denotes Momentary Function

- NOTE:**
1. ALL DIMENSIONS IN MM [INCH]
 2. GENERAL TOLERANCE: X.X = ±0.4
X.XX = ±0.25
 3. TERMINAL NUMBERS FOR REF ONLY
 - ▲ 4. CONTACT MATERIAL: SILVER
 5. RATING: 3A 250 VAC cUL
 6. ELECTRIC LIFE: 50,000 MAKE-AND-BREAK CYCLES AT FULL LOAD.
 7. MECHANICAL LIFE: 1,000,000 CYCLES.
 8. INSULATION RESISTANCE: 1,000 MΩ @ 500VDC MIN.
 9. DIELECTRIC STRENGTH: 2,000 VAC MIN. FOR 1 MINUTE
 10. CONTACT RESISTANCE: 50mΩ MAX. @ 1A 12VDC
 11. OPERATING TEMP.: -20°C to 55°C
 12. ▲ DENOTES CRITICAL PARAMETER.
 - ▲ 13. LAMP VOLTAGE: 20mA 24V
 14. TRAVEL: 3.2mm
 15. ACTUATION FORCE: 3.5 ± 1.0 N
 16. MOUNTING NUT TORQUE: 5-14 Nm
 17. INGRESS PROTECTION: IP67
 18. HARDWARE SUPPLIED: O-RING AND HEXNUT



A	22371	NEW RELEASE	6/27/16	MJR	TITLE ULV8F2HSS305				
REV	PCR NO	DESCRIPTION	DATE	BY	SCALE	DATE	DR	DWG	REV
					1:1	6/27/2016	MJR	T980007	A

THE INFORMATION CONTAINED IN THIS DOCUMENT IS PROPRIETARY TO E-SWITCH AND IS NOT TO BE COPIED OR TRANSFERRED